

# GRIP PRODUCTS

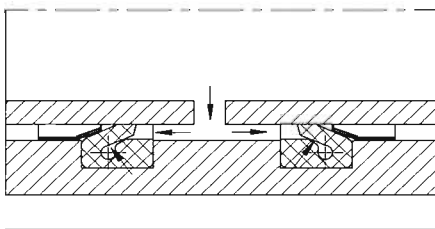
## GRIP-RZ

### Coupled pipe repair clamp

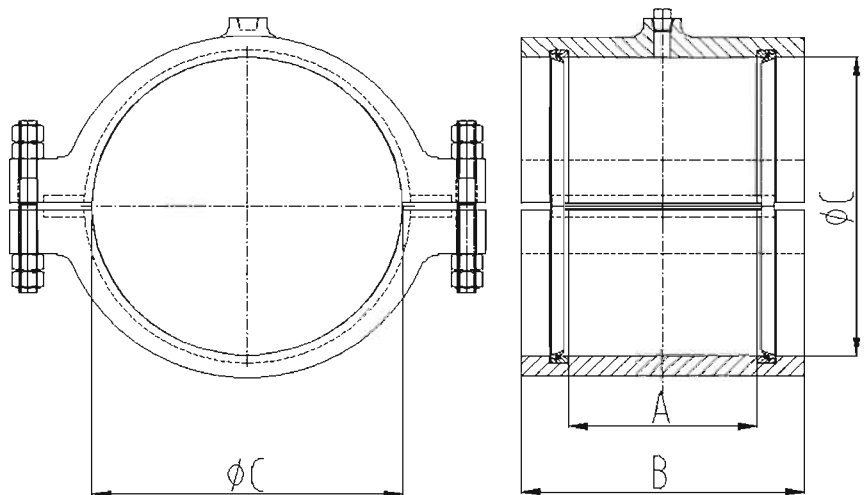
The GRIP-RZ Coupled pipe repair clamp can safely and reliably seal damaged pipes such as corrosion, mesh holes, cracks or leakages without pipe changing. New designed unitary sealing sleeve ensures complete sealing effect. Easy and quick installation completed by wrapping the clamp to target position, tightening all the bolt.

Strong pressure bearing ability up to 8MPa, can be widely used in oil pipeline, chemistry industry, grid, mining field, gas pipeline. Suitable for pipes O.D  $\phi 26.9$ - $\phi 812.8$ mm  
Progressive sealing effect

If the pressure in the pipes rises, the contact pressure on the sealing lips also increase due to the flow through the pressure equalization channel.



### Outside view





Components	Material
Casing	ZG270-500/ZG35
Bolts	Class12.9
Sealing	EPDM/NBR

#### Note:

1: Please consult the BJ-GRIP technical department or its Agents when what you need is beyond the range of normal specification

# GRIP PRODUCTS

## GRIP-RZ

Pipe outside diameter		Clamping range	Working pressure	
O.D.		Min-Max		
(mm)	(in.)	(mm)	(bar)	(psi)
26.9	1.059	26-28	120	1740
30	1.181	29-31	120	1740
33.7	1.327	32-35	120	1740
38	1.496	37-39	120	1740
42.4	1.669	41-43	120	1740
44.5	1.752	44-45	120	1740
48.3	1.902	47-49	120	1740
54	2.126	53-55	120	1740
57	2.244	56-58	120	1740
60.3	2.374	59-61	120	1740
66.6	2.622	64-68	120	1740
70	2.756	68-71	120	1740
73	2.874	72-74	120	1740
76.1	2.996	75-77	120	1740
79.5	3.130	78-81	120	1740
84	3.307	83-85	120	1740
88.9	3.500	88-90	120	1740
100.6	3.961	99-102	100	1450
101.6	4.000	100-103	100	1450
104	4.094	103-105	100	1450
108	4.252	106-109	100	1450
114.3	4.500	113-116	100	1450
127	5.000	126-128	100	1450
129	5.079	128-130	100	1450
130.2	5.126	129-132	100	1450
133	5.236	131-135	100	1450
139.7	5.500	138-142	100	1450
141.3	5.563	140-143	100	1450
154	6.063	153-156	100	1450
159	6.260	158-161	100	1450
168.3	6.626	167-170	100	1450
180	7.087	178.0-182.0	100	1450
193.7	7.626	192.0-196.0	100	1450
200	7.874	198.0-202.0	80	1160
204	8.031	202.0-206.0	80	1160
206	8.110	204.0-208.0	80	1160
219.1	8.626	216.0-222.0	80	1160
244.5	9.626	242.0-247.0	80	1160
250	9.843	247.0-253.0	80	1160
254	10.000	251.0-257.0	80	1160
256	10.079	253.0-259.0	80	1160
267	10.512	264.0-270.0	80	1160
273	10.748	270.0-276.0	80	1160
304	11.969	301.0-307.0	60	870
306	12.047	303.0-309.0	60	870
323.9	12.752	320.0-327.0	60	870
355.6	14.000	352.0-359.0	60	870
406.4	16.000	402.0-411.0	60	870
457.2	18.000	452.0-462.0	60	870
508	20.000	503.0-513.0	60	870
558.8	22.000	554.0-564.0	60	870
609.6	24.000	605.0-615.0	60	870
660.4	26.000	655.0-665.0	60	870
711.2	28.000	703.0-716.0	60	870
762	30.000	757.0-767.0	60	870
812.8	32.000	808.0-818.0	60	870